

**BERT**  
**Brodie Electronic Rate Totalizer****Description**

The BERT Field Mounted Rate Totalizer requires no external power and is designed to operate with turbine, positive displacement, and paddlewheel flowmeters in applications for irrigation systems, petroleum, chemical, and pipeline metering, and as a replacement for mechanical registers.

**Design Features**

- Displays Rate, Total and Accumulated Total.
- Battery, Loop, or DC Powered (Optional AC Powered).
- Integral or Remote Mount.
- Fully Programmable.
- Scaled or Unscaled Output.
- High and Low Alarms.
- CE Compliant.
- Analog Outputs.
- Approvals: UL/cUL, ATEX, (*Pending*)

**Materials of Construction**

**Enclosure:** Cast Aluminum

**Rating:** NEMA 7 (Explosion Proof) and NEMA 4X (Weatherproof and corrosion resistant)

**Mounting**

Integral to meters with a universal mounting box or remote with mounting hardware.

**Display**

**Total:** 7 digit 10mm (0.4") high LCD (continuously powered). Note: The resettable total and the Accumulated Total are accessible from push buttons.

**Rate:** 4 digit 0.33" (8.5 mm) high LCD (continuously powered).

**Temperature Range**

**Standard:** -4°F (-20°C) to 140°F (60°C)

**Optional:** -40°F (-40°C) to 140°F (60°C)

**Battery Power Version / No Output**

**Battery Type:** 2 X Lithium Battery Packs.

**Battery Life:** 5 years.

**WARNING**

Do NOT operate this instrument in excess of the specifications listed. Failure to heed this warning could result in serious injury and/or damage to the equipment.

**Loop Powered 4-20mA Output Version**

**Scale:** The 4mA and 20mA points are programmable.

**Resolution & Linearity:** 0.05% of span.

**Accuracy:** 0.05% of span at 20°C

**Update Time:** 0.5s

**Connections:** 2 wire.

**Voltage Across Output:** 28V dc Maximum.

**Voltage Drop:** 9V Maximum.

**Memory Backup:** Lithium Battery.

**DC Powered / Alarm or Pulse Output Version**

**Outputs:** 2 X solid state relay outputs suitable for driving DC solenoids or external relays. The outputs provide fully programmable high & low flow alarms or a pulse output & low alarm.

**Pulse Output:** Scaled or unscaled pulse output, 50Hz maximum. Pulse width depends on output frequency and varies from 100mSec to 1mSec.

**Switching Power:** 200mA, 30V dc Maximum.

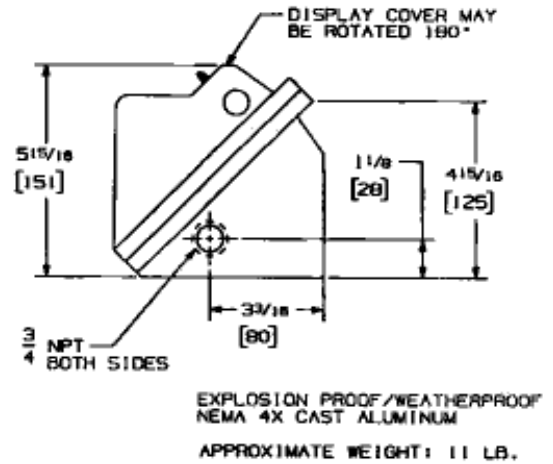
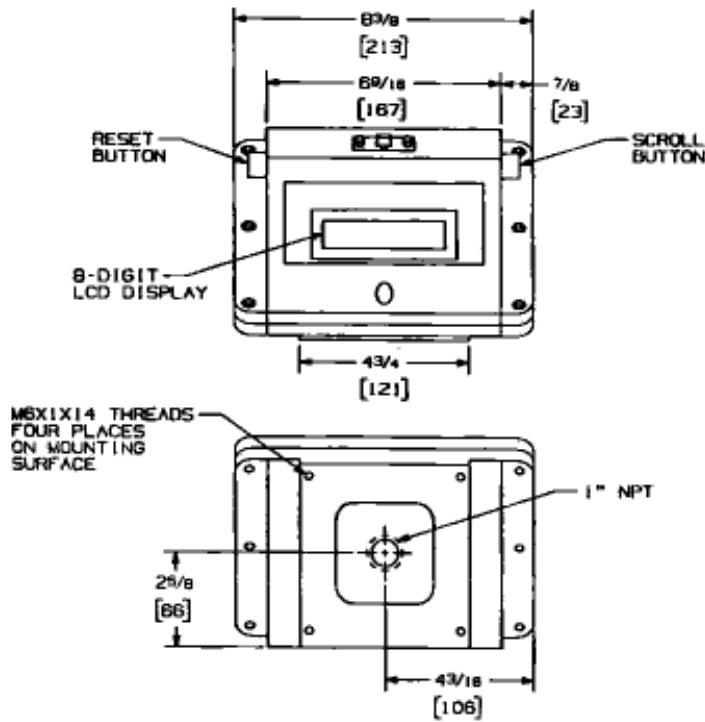
**Saturation Power:** 0.8V dc across outputs when in the "ON" state.

**Isolation:** Both outputs are separately isolated.

**DC Power Input:** 9-28V @ 4mA Maximum.

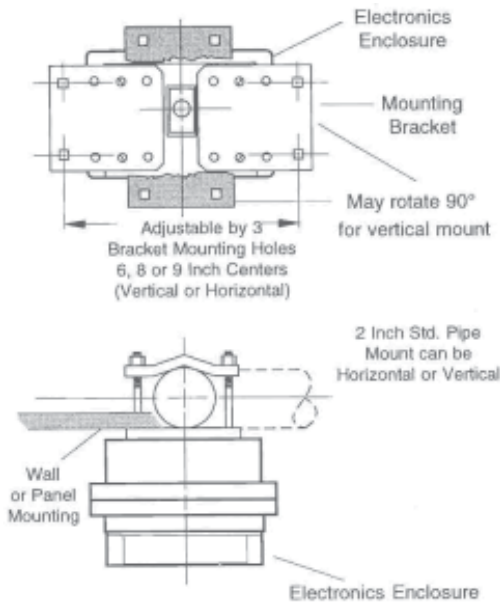
**Memory Backup:** Lithium Battery.

**Dimensions (For Certified Dimensional Prints - Consult Factory)**



Inches	Millimeters (mm)
ALL TOLERANCED DIMENSIONS ARE FOR INSTALLATION PURPOSES.	
ALL OTHER DIMENSIONS ARE FOR REFERENCE ONLY.	

**Remote Horizontal and Vertical Pipe or Wall Mounting**



**Direct Meter Mounting**



Shipping Weight: 17 lbs.  
Volume: 2.22 Cu. feet

*The contents of this publication are presented for informational purposes only, and while every effort has been made to ensure their accuracy, they are not to be construed as warranties or guarantees, express or implied, regarding the products or services described herein or their use or applicability. Brodie Meter Co., LLC reserves the right to modify or improve the designs or specifications of such products at any time without notice.*



19267 Highway 301 North (30461)  
PO Box 450 • Statesboro, GA 30459-0450  
Phone: (912) 489-0200 • Fax: (912) 489-0294  
[www.brodieintl.com](http://www.brodieintl.com)